

## WX04

Load haul dump  
general specifications



Lower environment  
impact



Reliability



Productivity



Indicative illustration only, machine design will vary

### Operating capacities and weights

Payload	4,000 kg	8,800 lbs.
Bucket capacity	1.9 m <sup>3</sup>	2.5 yd <sup>3</sup>
Operating weight	14,560 kg	32,032 lbs.

### Engine power

Engine rated power - standard	97 kW	130 HP
Engine rated power (optional)	99 kW	133 HP

\*Standard rock bucket based on 2,000 kg/m<sup>3</sup>. Alternate bucket volumes available

# WX04

## Capacities

Tramming capacity	4,000 kg	8,800 lbs.
Hydraulic breakout force lift	11,361 kg	25,046 lbs.
Hydraulic breakout force tilt	9,189 kg	20,258 lbs.
SAE breakout force	9,189 kg	20,258 lbs.
SAE static tipping load	16,611 kg	36,621 lbs.
Bucket	1.9 m <sup>3</sup>	2.5 yd <sup>3</sup>

## Weights

Operating weight	15,150 kg	33,400 lbs.
Total loaded weight	19,150 kg	42,218 lbs.

## Axle weight without load

Front axle	6,674 kg	14,714 lbs.
Rear axle	8,476 kg	18,686 lbs.

## Axle weight with load

Front axle	12,981 kg	28,618 lbs.
Rear axle	6,169 kg	13,600 lbs.

## Speeds km/h unloaded

Grade	0	5	10	12	15	20
1st gear	4.8	4.2	4.2	4.0	3.9	3.8
2nd gear	9.5	8.8	7.8	9.1	7.8	5.9
3rd gear	16.0	12.7	10.0	8.4	6.4	3.4
4th gear	25.8	14.5				

## Speeds km/h loaded

Grade	0	5	10	12	15	20
1st gear	4.4	4.2	4.0	3.9	3.7	3.6
2nd gear	9.2	8.7	7.6	6.7	5.8	3.9
3rd gear	14.0	12.3	7.7	6.8		
4th gear	24.0	11.4				

Speeds are representative and are based on a 3% rolling resistance. Actual speeds achieved will be subject to road conditions.

## Bucket motion times (+/-1 s)

Dump time	2.5 s
Raising time	4.6 s
Lowering time	3.4 s

## Control system

User interface	IQAN MD4
----------------	----------

## Powertrain

	<b>Standard</b>	<b>Optional</b>
Engine	Cummins QSB 4.5T EPA Tier 3	Cummins QSB 4.5T EU Stage V
Output	97 kW (130 HP) @2500 rpm	99 kW (133 HP)

## General

Air filtration	Donaldson (dry type)
Exhaust system	DOC
Fuel tank capacity	190 litres 50 gallons
Converter	Dana C270 series
Transmission	Dana 32000 series
Shifting	Powershift c/w modulation
Speeds	4 forward / 4 reverse

## Axles

Front and rear	Dana 14D2149
Differential, front	Limited slip
Differential, rear	No-spin
Brakes	Spring applied, hydraulic release
Oscillation angle	+/- 5 deg

Tires	Bias L5S (smooth)
Size	12.00 x 24

As applications vary, the tire supplier should be consulted for proper tires.

## Hydraulics

### System design

Variable displacement piston pump with load sensing open center circuit design for optimal efficiency. Proportional hydraulic valve with closed centre spool with priority steering, shock valves and load sense relief valves.

### Bucket/boom control

Single two axis proportional electric joystick

### Steering control

Single one axis proportional electric joystick with gear selector

### Brake system

Service brakes are enclosed spring-applied, hydraulically released, liquid cooled multi-disk on all four wheel ends. The service brakes also function as emergency and park brakes. Brakes will apply upon loss of hydraulic pressure or electrical power.

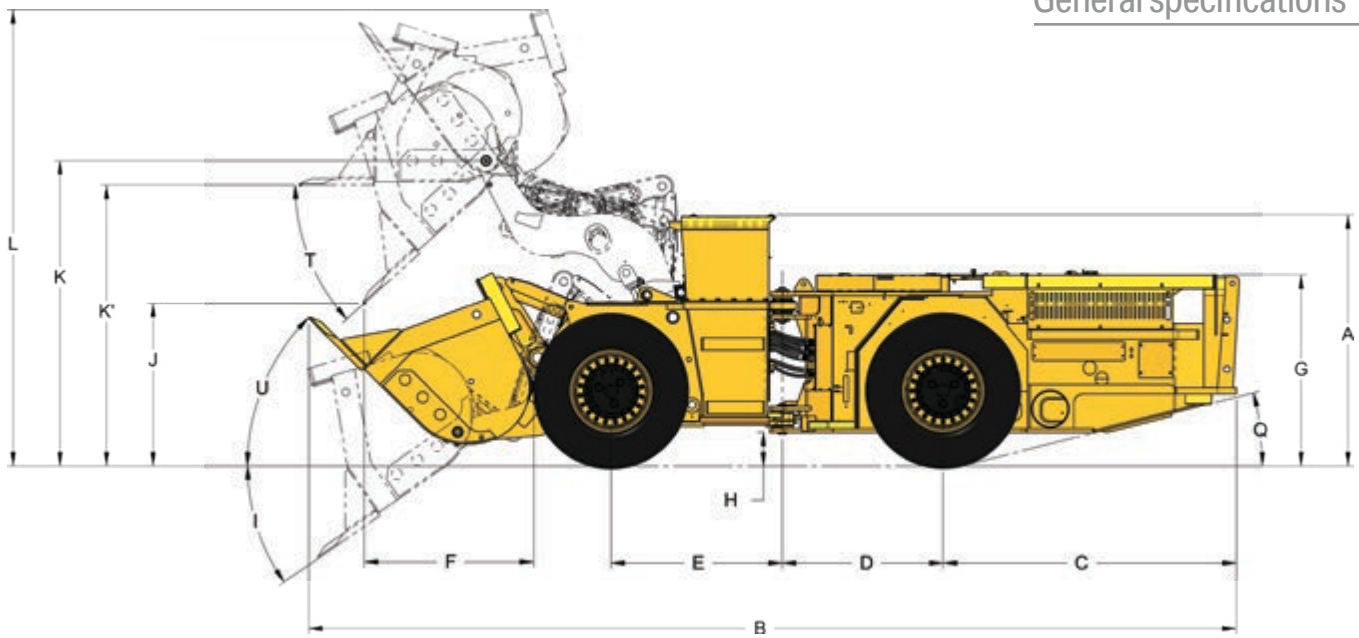
Bucket dump cylinder	One (1), double acting, single stage, Z-link
Boom hoist cylinder	Two (2), double acting, single stage
Steer cylinder	One (1), double acting, single stage
Hydraulic tank volumes	140 litres 47.0 US gallons

## Electrical equipment

Alternator	24V/70A
Batteries	2 x 24V HD
Starter	24V
Driving and working lights	2 front / 2 rear (LED)

## Structural

Front and rear frames	Welded steel box construction
Material	ASTM A572 GR50 (CSA G40.21-50W)

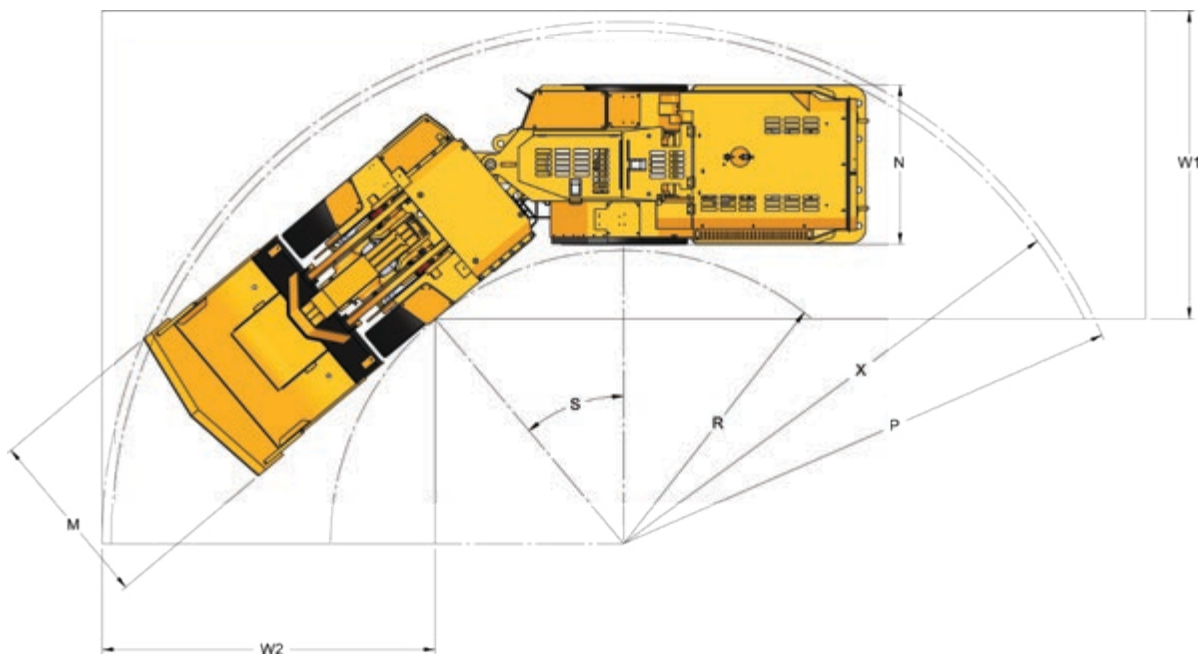


**Overall dimensions**

<b>A</b>	Top of cabin	2063 mm	81.3 in
<b>B</b>	Overall, tramming	7632 mm	300.5 in
<b>C</b>	Rear axle to bumper	2410 mm	94.9 in
<b>D</b>	Centre hinge to rear axle	1324 mm	52.1 in
<b>E</b>	Centre hinge to front axle	1410 mm	55.5 in
<b>F</b>	Bucket reach	1392 mm	54.8 in
<b>G</b>	Top of hood	1570 mm	61.8 in
<b>H</b>	Ground clearance	275 mm	10.8 in
<b>J</b>	Dump clearance	1338 mm	52.7 in
<b>K</b>	Lift arm pin	2510 mm	98.8 in
<b>L</b>	Bucket raised	3749 mm	147.6 in

**Overall dimensions**

<b>M</b>	Width - bucket	1778 mm	70 in
<b>N</b>	Width - rear frame	1591 mm	62.6 in
<b>RE</b>	Outside turning radius	5106 mm	201 in
<b>RI</b>	Inside turning radius	2920 mm	114.9 in
<b>S</b>	Turn angle		40 deg
<b>T</b>	Dump angle		42 deg
<b>U</b>	Roll back angle		45 deg



### Standard equipment

---

- ROPS/FOPS certified open cabin
    - LCD dash
    - Door interlock on operator's compartment
    - Electric horn
    - Joystick hoist and bucket control
    - Joystick steering control
  - 1.9 m<sup>3</sup> (2.5 yd<sup>3</sup>) bucket with plate lip
  - Z-link boom design
  - Articulation and boom locks
  - Central manual lubrication
  - Electric hydraulic oil transfer pump
  - Emergency stops (3)
  - Exhaust blanket SS jacket
  - Battery disconnect switch
  - Jump start
- 

### Automation option

---

- Radio remote control system, line of sight
- 

### Optional equipment

---

- Fire suppression system liquid type - manual
  - Fire suppression system liquid type - automatic
  - Fire extinguisher
  - Automatic lubrication system
  - Remote retrieval system
  - Back-up alarm
  - Strobe lights
  - Wheel chocks and holders
  - DPF exhaust
  - Transmission gear lock-out
- 

### Bucket options

---

- 2.2 m<sup>3</sup> (2.9 yd<sup>3</sup>) bucket w. plate lip
  - 1.4 m<sup>3</sup> (1.8 yd<sup>3</sup>) ejector bucket
  - Quick attach Masterhitch
  - Quick attach bucket
  - Quick attach forks
  - Quick attach ejector bucket 1.3 m<sup>3</sup> (1.7 yd<sup>3</sup>)
- 

### Cabin options

---

- Certified ROPS/FOPS enclosed cabin
    - Air conditioning
    - Three window wiper and washer
    - Safety glass windows
    - Sound deadening insulation
- 

---

Product designs, specifications and/or data in this document are provided for informational and illustrative purposes only and are not warranties of any kind. Product designs and/or specifications may be changed at any time without notice. Any applicable warranties that may be provided by Komatsu for the products and services are available on request.

Komatsu and other trade marks and service marks used herein are the property of Komatsu Ltd., Komatsu Australia Pty Ltd, Komatsu America Corp., Komatsu Mining Corp., or one of their affiliates, or the respective owners or licensees.

**KOMATSU**

[komatsu.com.au](https://www.komatsu.com.au)  
[komatsu.co.nz](https://www.komatsu.co.nz)

